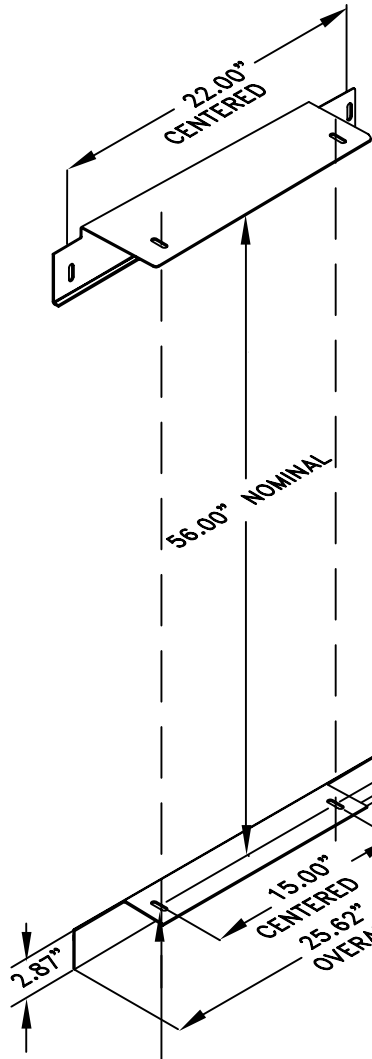


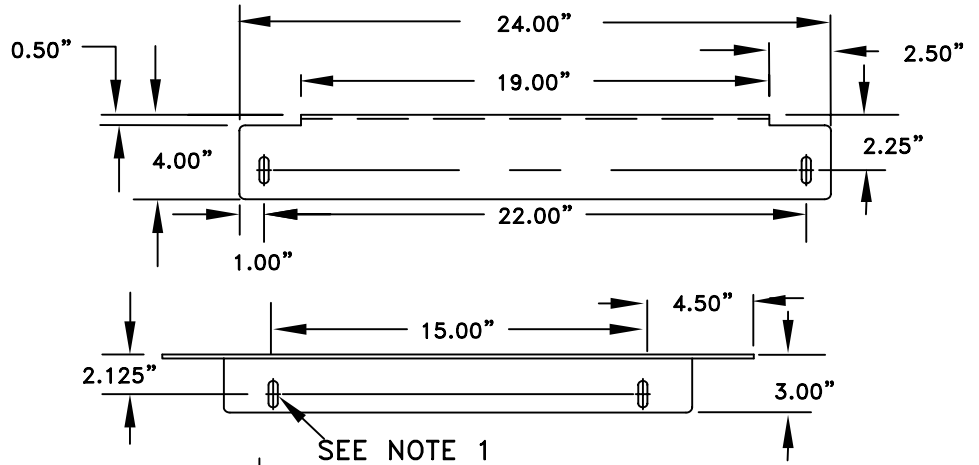
HOUSINGS 3 TO CAGE 1 SUPPORT DETAILS

SPANNER BRACKET
ATTACHED TO SIDE OF CABINET



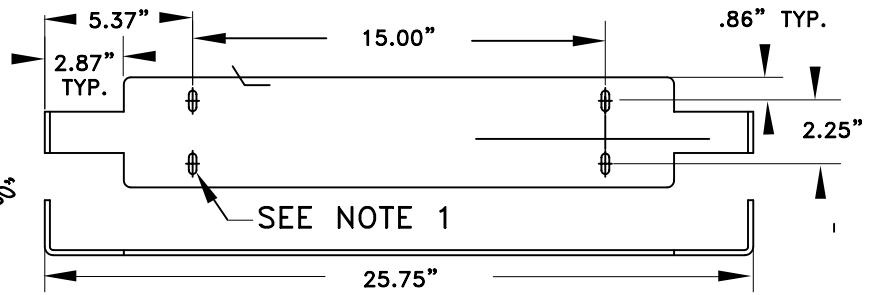
SEE NOTE 1

SPANNER
BRACKET DETAIL



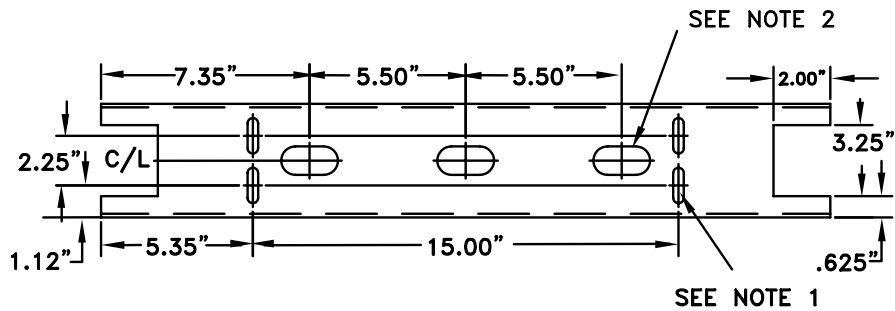
SEE NOTE 1

TOP RACK SUPPORT

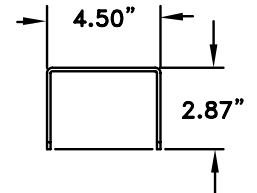
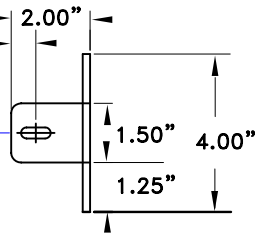
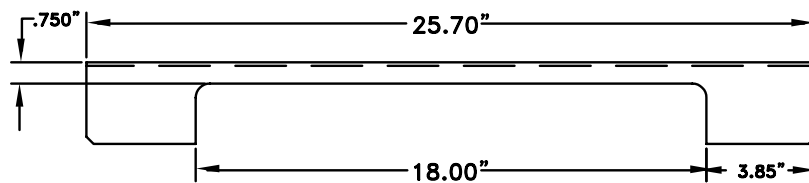


SEE NOTE 1

HOUSING LOWER CENTER CHANNEL



SEE NOTE 1



NOTES:

- 1 Hole Slot Detail B see Cabinet Housings 1&2 Details
- 2 Hole Slot Detail A see Cabinet Housings 1&2 Details

TITLE: CABINET CAGE TO HOUSING #3 SUPPORTS	
Rev Date 09-08-03	6-5-6
MAY 8, 2003	