

At the Input Assembly #1  
From the CDC Cable to the PDA

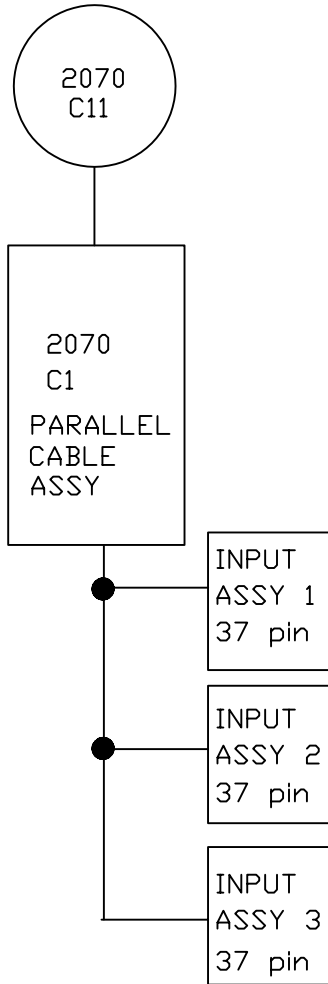
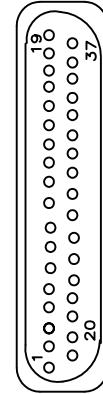
Pin #	FUNCTION	MODULE	Pin #	FUNCTION
Slot 10D/E	Advance/AC-	DC ISOA	TC 19	Advance
Slot 10J/K	Advance En/AC-	DC ISOB	TC 20	Advance En

INPUT ASSEMBLY 1  
TEST CONNECTOR TO C1 CONNECTOR

Pin	SIU PIN	C1/C11	SIU SIGNAL	Pin	C1/C11	SIU PIN	SIU SIGNAL
1	A5	C1-56	IN6	14	C1-78	B11	IN19
2	B5	C11-10	IN7	15	C1-49	A12	IN20
3	A6	C1-39	IN8	16	C11-13	B12	IN21
4	B6	C1-43	IN9	17	C1-60	A13	IN22
5	A7	C1-63	IN10	18	C1-62	B13	IN23
6	B7	C1-76	IN11	19	C1-80	A14	IN24
7	A8	C1-47	IN12	20	C1-83	B14	IN25
8	B8	C11-11	IN13	21	C1-67	A15	IN26
9	A9	C1-58	IN14	22	C1-69	B15	IN27
10	B9	C11-12	IN15	23	C1-68	A16	IN28
11	A10	C1-41	IN16	24	C1-70	B16	IN29
12	B10	C1-45	IN17	25			DC Ground
13	A11	C1-65	IN18				

NOTE : 26 thru 37 not used.

TEST CONNECTOR (Plug)

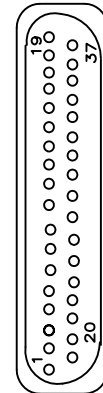


INPUT ASSEMBLY 2  
TEST CONNECTOR TO C1 CONNECTOR

Pin	SIU PIN	C1/C11	SIU SIGNAL	Pin	C1/C11	SIU PIN	SIU SIGNAL
1	A5	C1-55	IN6	14	C1-79	B11	IN19
2	B5	C11-15	IN7	15	C1-50	A12	IN20
3	A6	C1-40	IN8	16	C11-18	B12	IN21
4	B6	C1-44	IN9	17	C1-59	A13	IN22
5	A7	C1-64	IN10	18	C1-61	B13	IN23
6	B7	C1-77	IN11	19	C1-71	A14	IN24
7	A8	C1-48	IN12	20	C1-73	B14	IN25
8	B8	C11-16	IN13	21	C1-72	A15	IN26
9	A9	C1-57	IN14	22	C1-74	B15	IN27
10	B9	C11-17	IN15	23	C1-51	A16	IN28
11	A10	C1-42	IN16	24	C1-52	B16	IN29
12	B10	C1-46	IN17	25			DC Ground
13	A11	C1-66	IN18				

NOTE : 26 thru 37 not used.

TEST CONNECTOR (Plug)



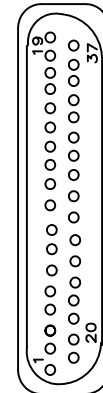
INPUT ASSEMBLY 3  
TEST CONNECTOR TO C1 CONNECTOR

Pin	SIU PIN	C1/C11	SIU SIGNAL	Pin	C1/C11	SIU PIN	SIU SIGNAL
1	A5	C11-19	IN6	14	NA	B11	IN19
2	B5	C11-20	IN7	15	NA	A12	IN20
3	A6	C11-21	IN8	16	NA	B12	IN21
4	B6	C11-22	IN9	17	NA	A13	IN22
5	A7	C11-23	IN10	18	NA	B13	IN23
6	B7	C11-24	IN11	19	NA	A14	IN24
7	A8	C11-25	IN12	20	NA	B14	IN25
8	B8	C11-26	IN13	21	NA	A15	IN26
9	A9	C11-27	IN14	22	NA	B15	IN27
10	B9	C11-28	IN15	23	NA	A16	IN28
11	A10	C11-29	IN16	24	NA	B16	IN29
12	B10	C11-30	IN17	25			DC Ground
13	A11	NA	IN18				

NOTE : 26 thru 37 not used.

NOTE : 13 thru 24 Not Assigned (NA).

TEST CONNECTOR (Plug)



TITLE:

C1/C11 PARALLEL  
LA INTERFACE (INPUTS)

Rev Date 5-14-04

MAY 8, 2003

A-3-1