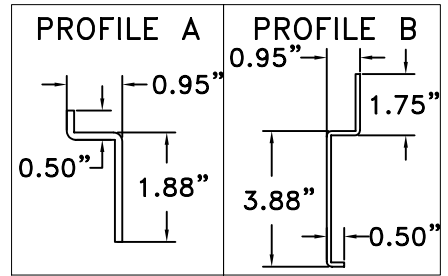
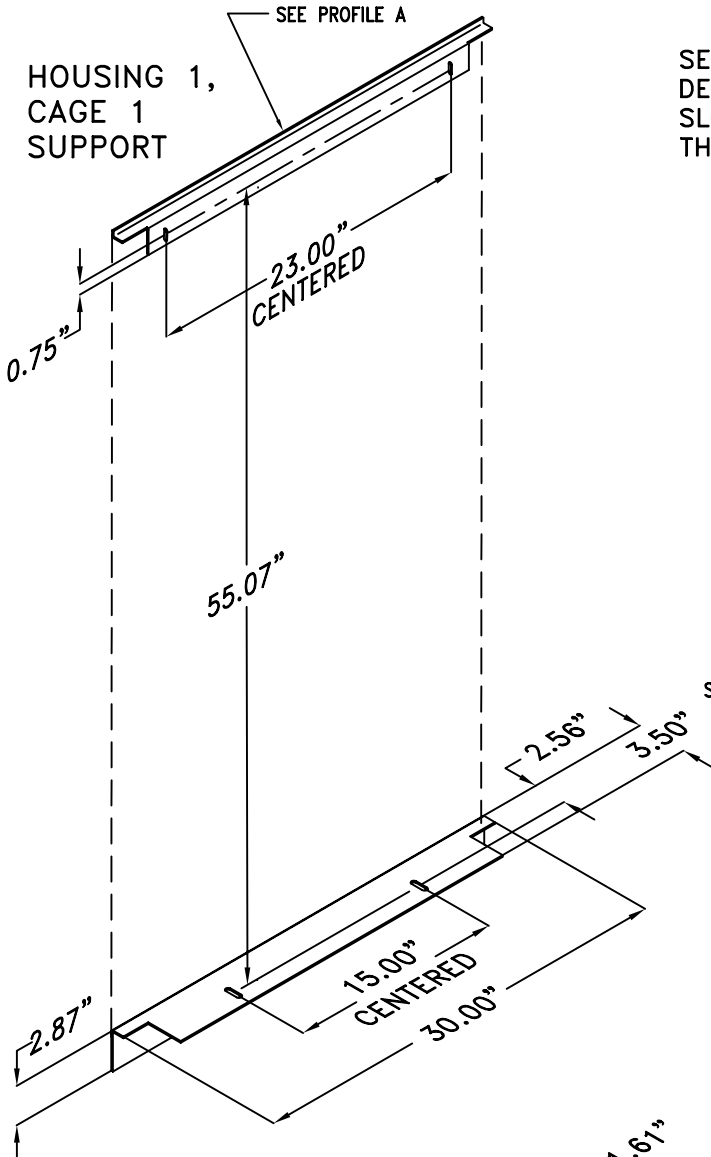


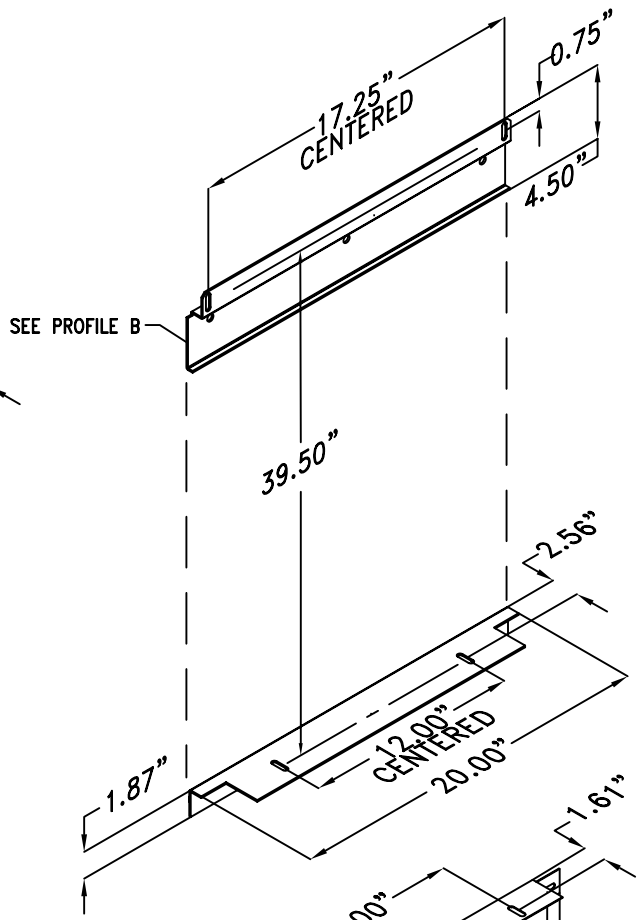
HOUSINGS 1 & 2 CAGE SUPPORT DETAILS



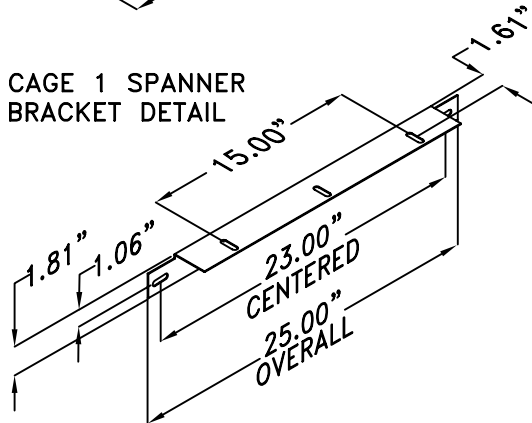
SEE HOLE SLOT  
DETAIL B FOR ALL  
SLOTS SHOWN ON  
THIS PAGE.



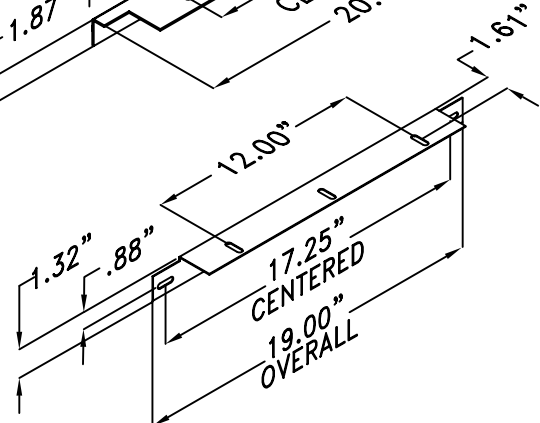
HOUSING 2, CAGE 2 SUPPORT



CAGE 1 SPANNER  
BRACKET DETAIL



CAGE 2 SPANNER  
BRACKET DETAIL



Hole Slot Detail B see Cabinet  
Housings 1&2 Details

TITLE: CABINET CAGE TO HOUSING  
#1 & #2 SUPPORTS

Rev Date 10-01-03

MAY 8, 2003

6-5-5