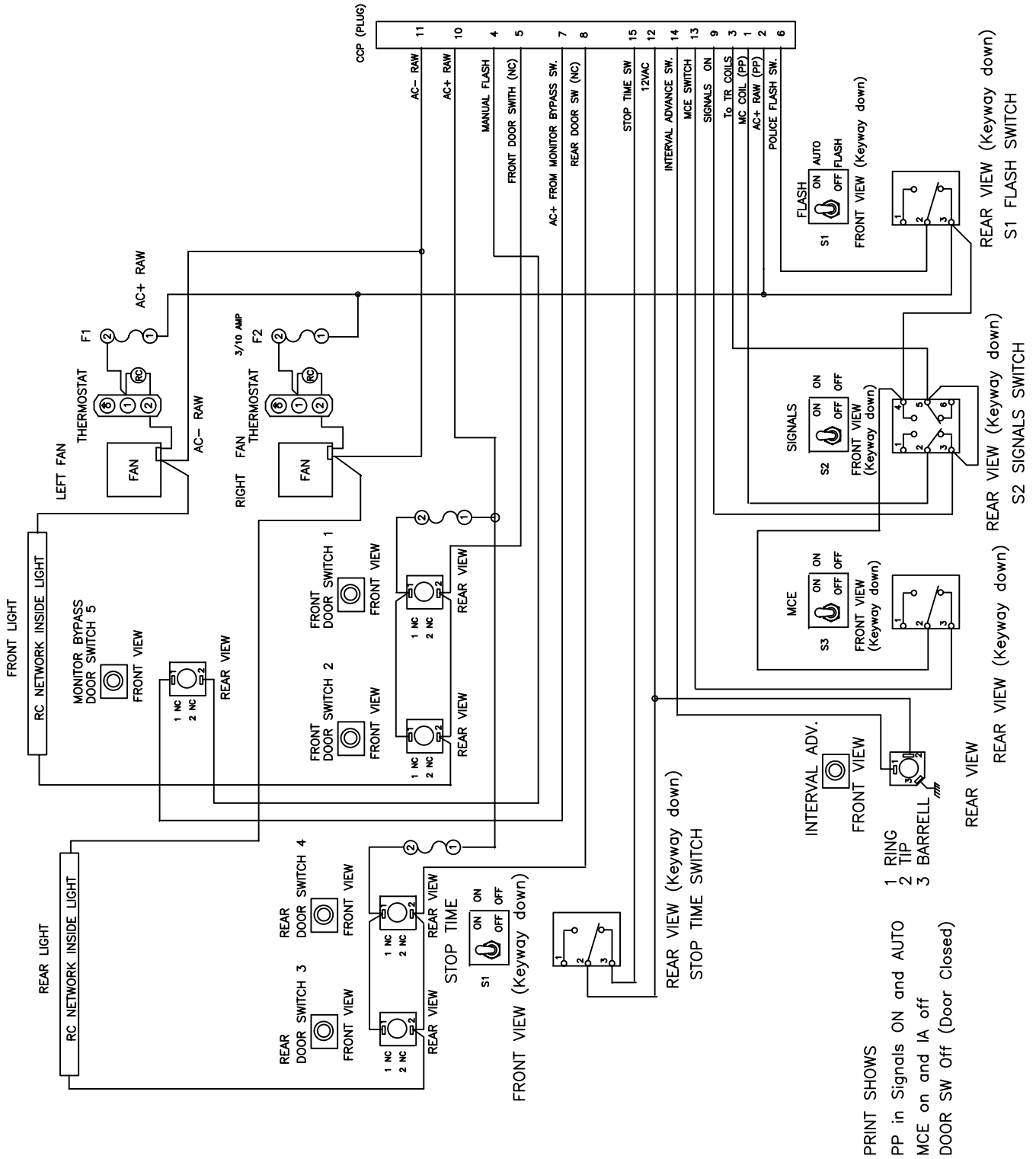


HOUSING 3 POLICE PANEL ASSEMBLY



TITLE: PP/CC CONNECTOR SCHEMATIC INCLUDING ANNEX B (CMU BYPASS)	
Rev Date 03-11-05	6-5-44B
MAY 8, 2003	