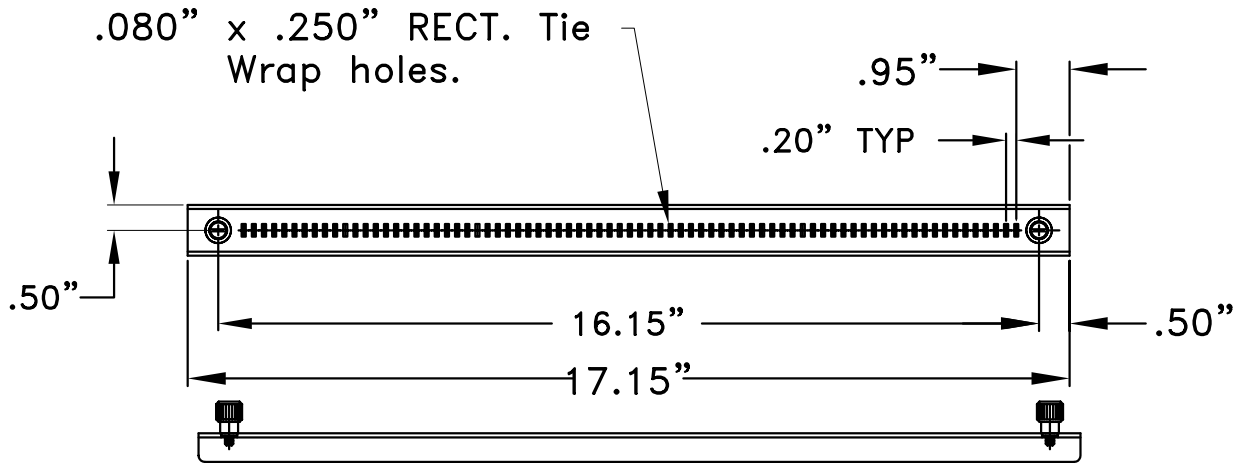
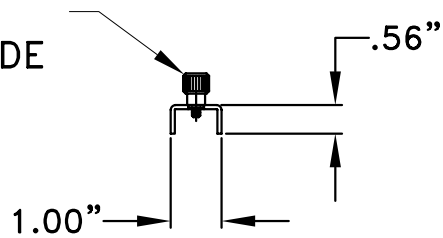


FIELD WIRE SUPPORT BRACKET

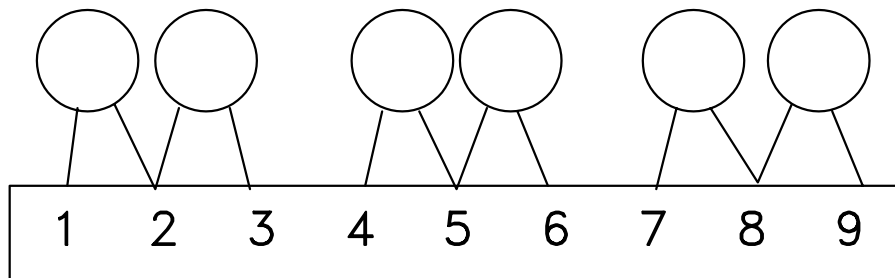


.312" DIA +.003"/-.00
 INSTALL TSD1 FROM NEAR SIDE



TRANSIENT PROTECTOR ASSEMBLY

MOVISTORS V150-LA20



PLUG is Phoenix 17-34-20-7 or equal

TITLE:

FIELD WIRE SUPPORT BRACKET
 TRANSIENT PROTECTOR ASSEMBLY

Rev Date 09-05-03

MAY 8, 2003

6-5-41