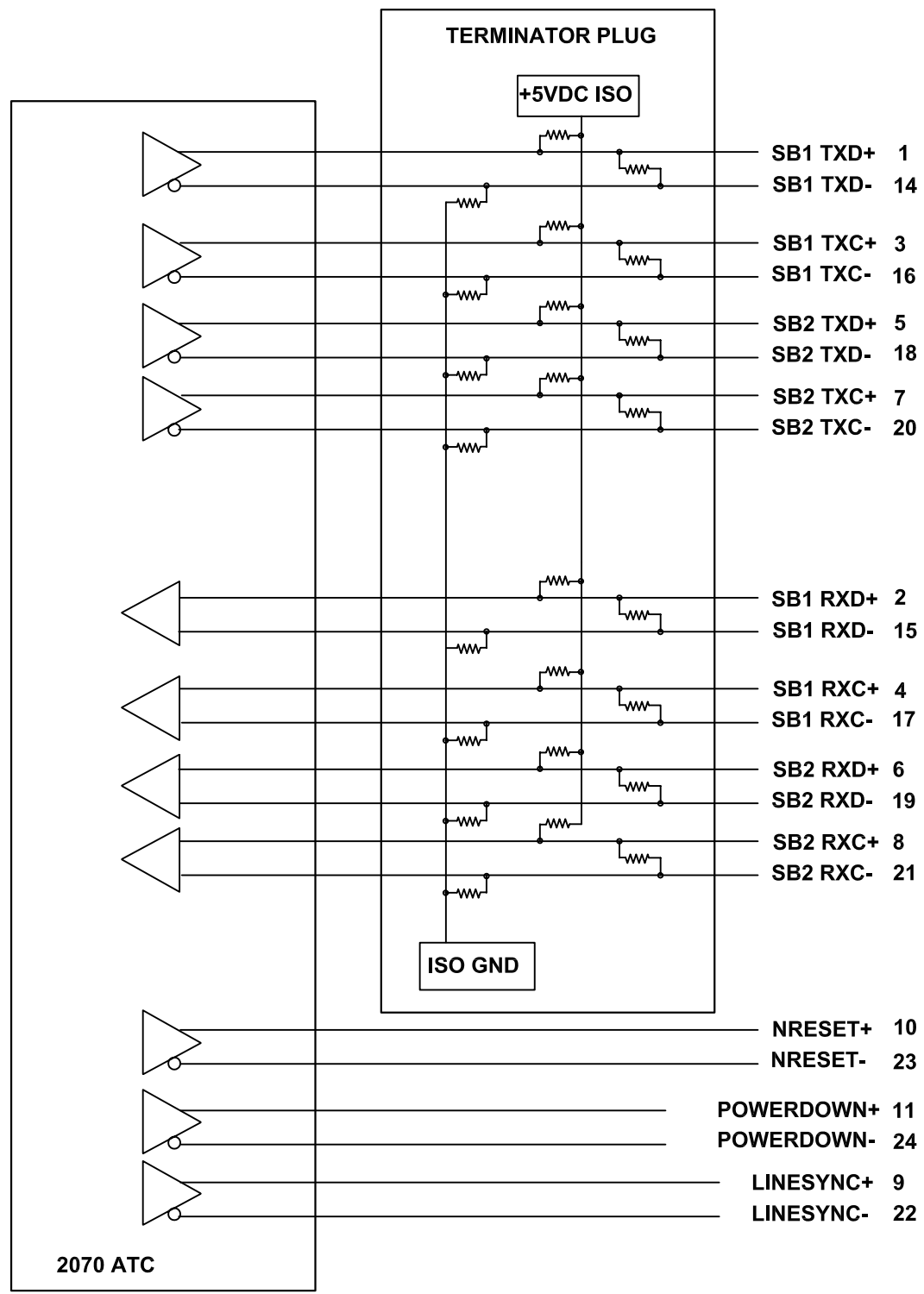
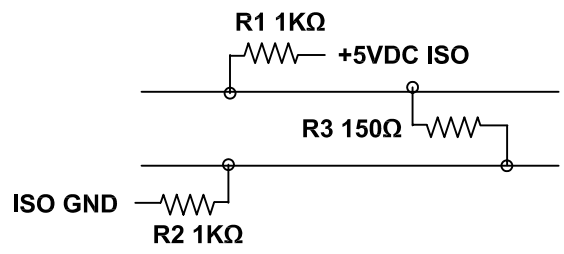


ITS CABINET SERIAL BUS #1 & #2 TERMINATOR UNIT



TERMINATOR RESISTORS



TITLE: SERIAL BUS #1 & #2 TERMINATOR UNIT	
Rev Date 12-01-03	6-5-30
MAY 8, 2003	