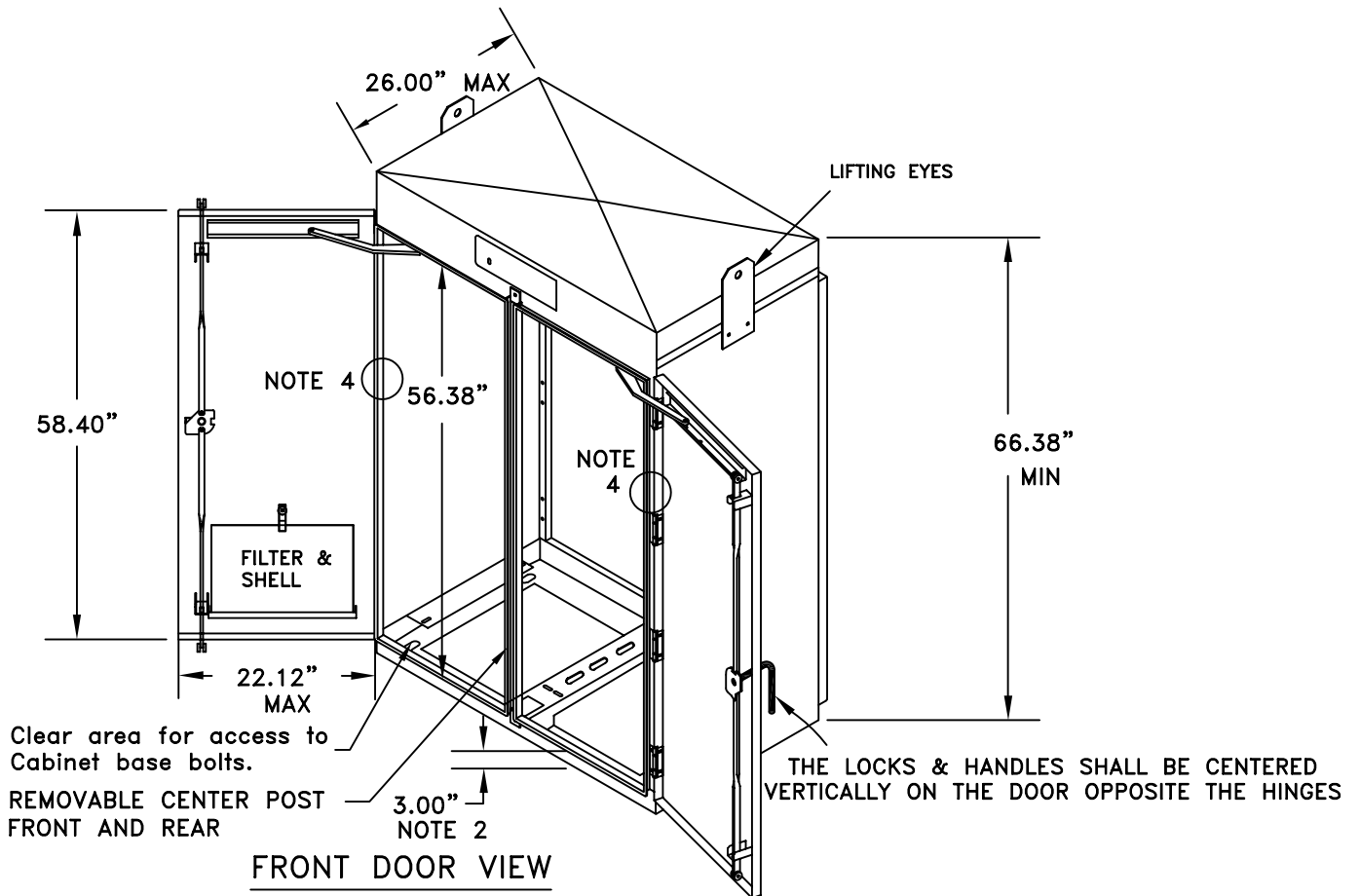
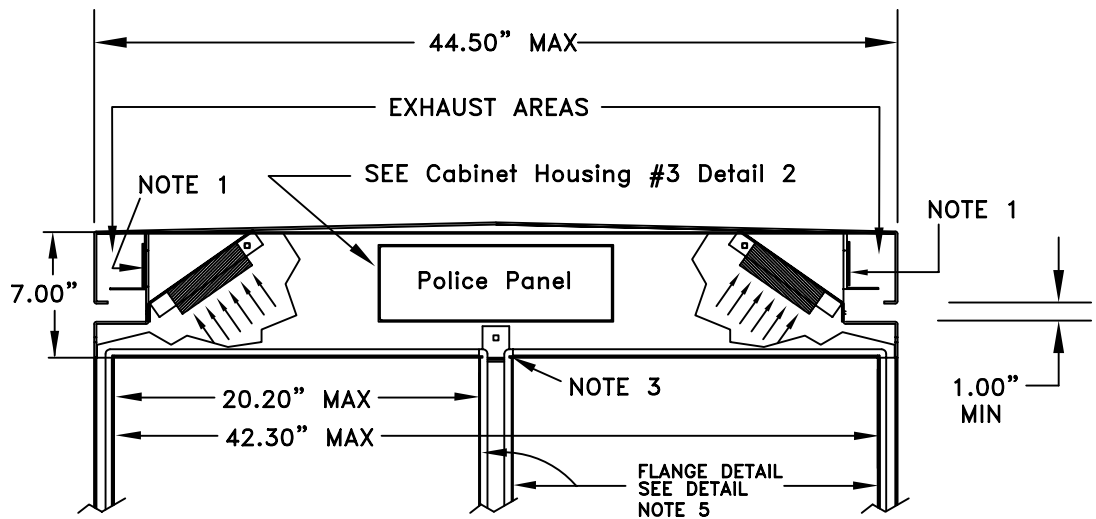


CABINET HOUSING 3 EXHAUST DETAIL



NOTES:

1. PERFORATED SCREEN .125 DIA HOLES WITH .187 STAGGER
2. FROM CABINET BASE TO DOOR LIP
3. AFTER CENTER POST IS INSTALLED A SEALANT SHALL BE APPLIED TO PREVENT LEAKAGE
4. TO AVOID INTERFERENCE WITH THE CONTROLLER MOUNT FRONT DOOR SWITCHES AT DRAWER/SHELF HEIGHT
5. CABINET HOUSING FLANGE DETAIL B HOUSINGS 1&2 DETAILS

TITLE: CABINET HOUSING #3 DETAIL 1	
Rev Date 09-08-03	
MAY 8, 2003	6-5-2