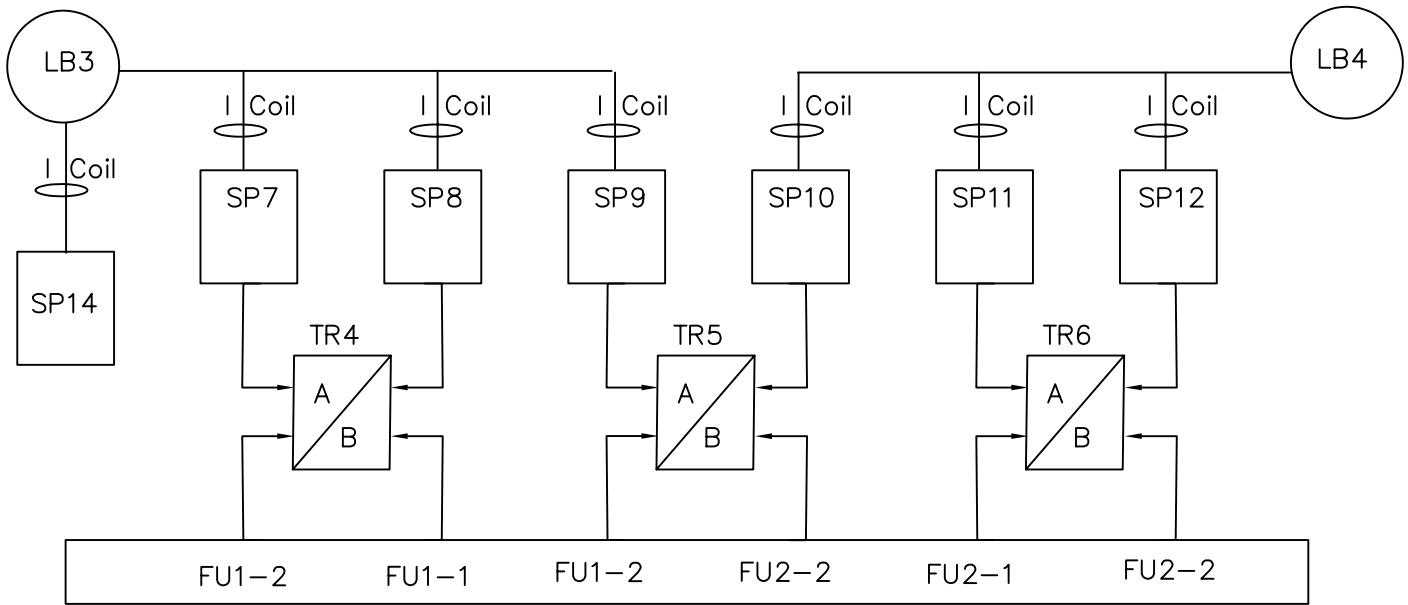
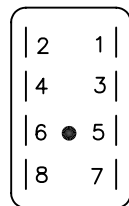
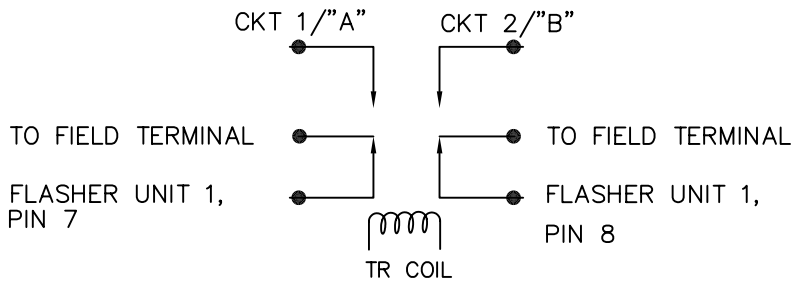


FLASHER TO OUTPUT ASSIGNMENT



FLASHER TO OUTPUT ASSIGNMENT

RELAY SHOWN DE-ENERGIZED



PIN	FUNCTION
1	COIL
2	COIL
3	N.C. CIRCUIT #1
4	N.C. CIRCUIT #2
5	COMMON CIRCUIT #1
6	COMMON CIRCUIT #2
7	N.O. CIRCUIT #1
8	N.O. CIRCUIT #2

HEAVY DUTY (HD) RELAY SOCKET DETAIL

TITLE:	
14 PACK OUTPUT ASSEMBLY CB/FLASHER DIAGRAM	
Rev Date 07-11-03	6-5-27
MAY 8, 2003	