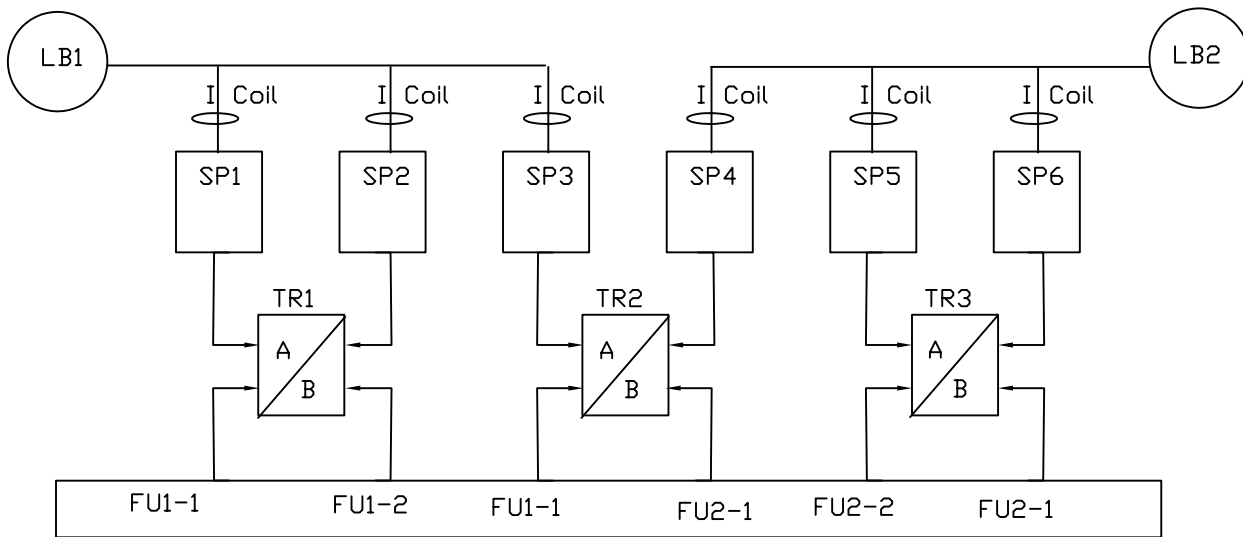


NOTE: 6/14 PACK LOCATION ASSIGNMENT REQUIREMENTS:

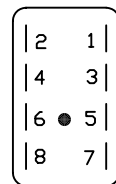
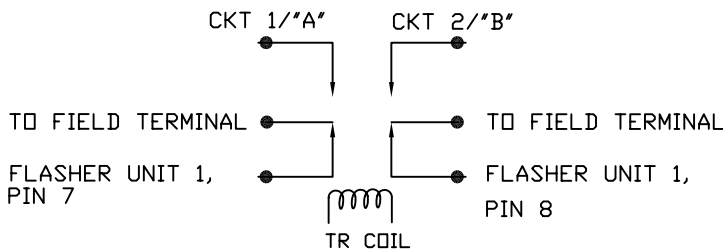
- 1 SIXPACK 1 PLUGS INTO S1 (Address 5)
- 2 SIXPACK 2 PLUGS INTO S2 (Address 6)
- 3 SIXPACK 3 PLUGS INTO S3 (Address 7)
- 4 SIXPACK 4 PLUGS INTO S4 (Address 4)
- 5 14 PACK 1 PLUGS INTO S1 (Address 1)
- 6 14 PACK 2 PLUGS INTO S3 (Address 3)



FLASHER TO OUTPUT ASSIGNMENT

FLASHER TO OUTPUT ASSIGNMENT

RELAY SHOWN DE-ENERGIZED



FRONT VIEW

HEAVY DUTY (HD) RELAY SOCKET DETAIL

PIN	FUNCTION
1	COIL
2	COIL
3	N.C. CIRCUIT #1
4	N.C. CIRCUIT #2
5	COMMON CIRCUIT #1
6	COMMON CIRCUIT #2
7	N.O. CIRCUIT #1
8	N.O. CIRCUIT #2

**TITLE: 6 PACK OUTPUT ASSEMBLY
CB/FLASHER DIAGRAM &
ASSIGNMENT NOTE**

Rev Date 07-11-03

MAY 8, 2003

6-5-26