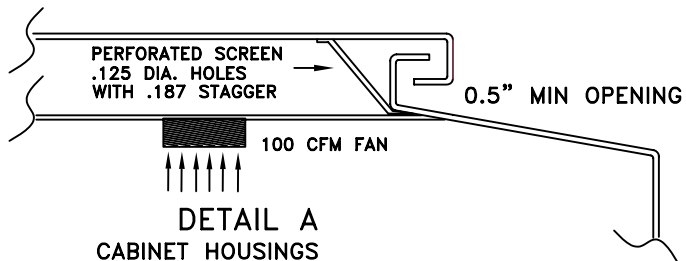
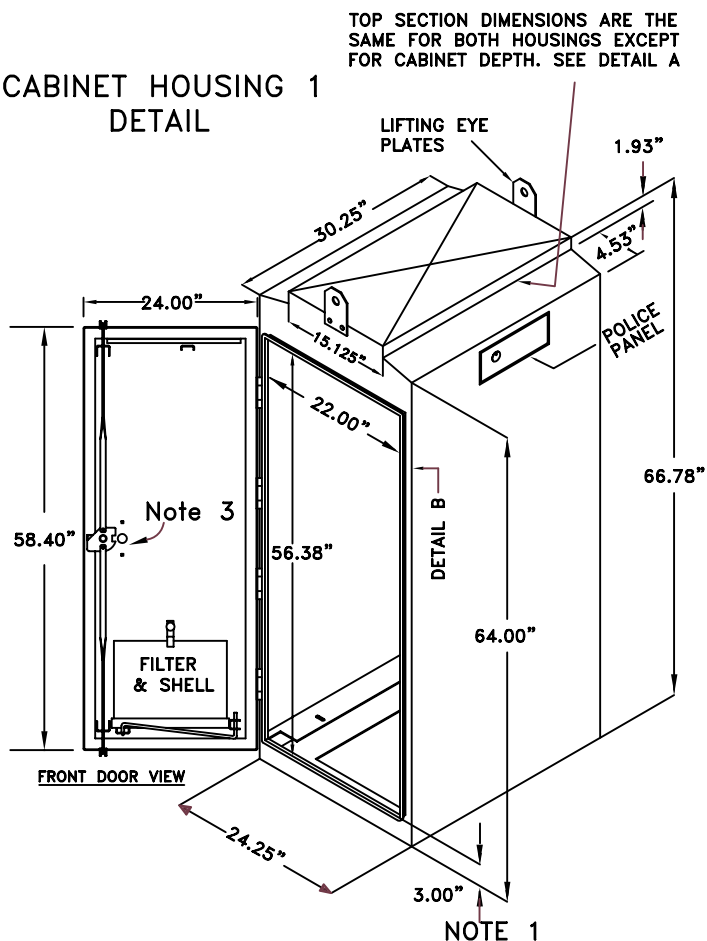
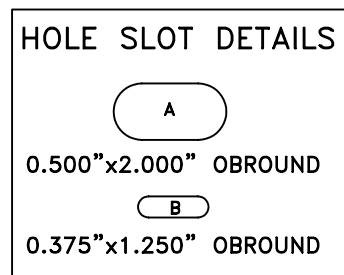
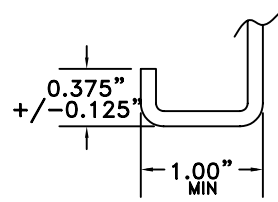


**CABINET HOUSING 1
DETAIL**

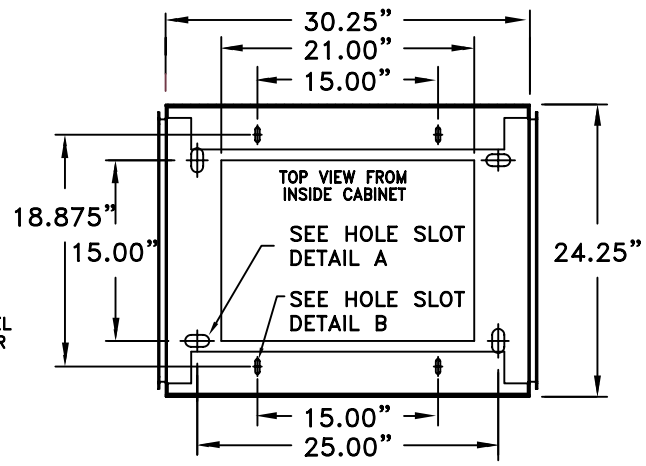


**DETAIL A
CABINET HOUSINGS
VENTILATION EXHAUST DETAIL**

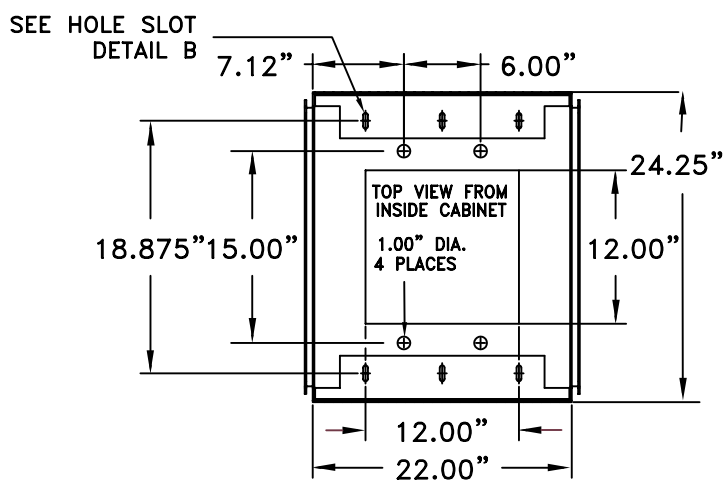
**DETAIL B
CABINET HOUSINGS
FLANGE AROUND DOOR OPENING**



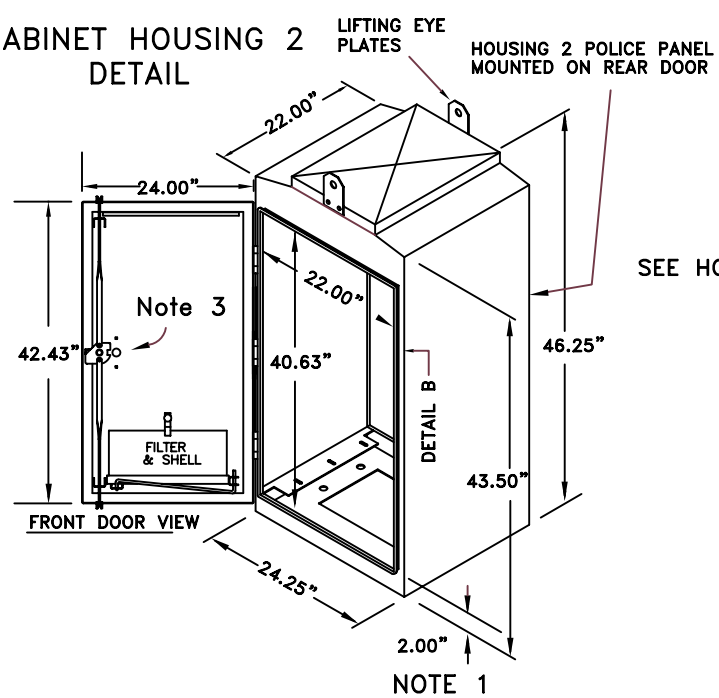
CABINET HOUSING 1 BOTTOM DETAIL C



CABINET HOUSING 2 BOTTOM DETAIL D



**CABINET HOUSING 2
DETAIL**



NOTES:

1. CABINET BASE TO DOOR OPENING.
2. ALL HOLE PATTERNS CENTERED ON CABINET BOTTOMS.
3. THE LOCKS & HANDLES SHALL BE ON THE RIGHT SIDE OF THE FRONT DOOR & THE LEFT SIDE OF THE REAR DOOR (viewed externally)

TITLE:	
CABINET HOUSINGS 1&2	
Rev Date 09-30-03	6-5-1
MAY 8, 2003	