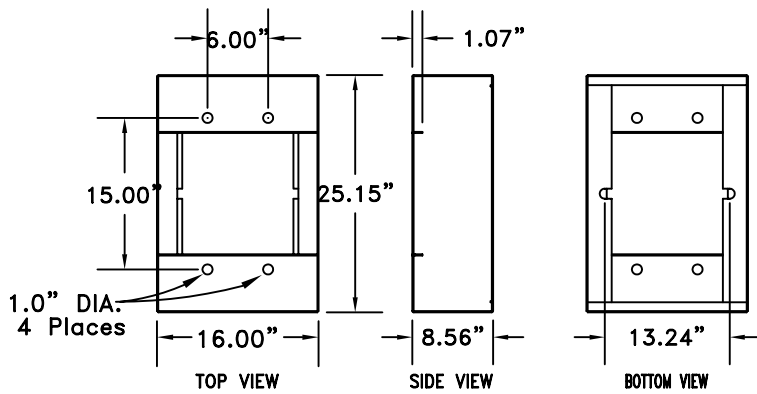
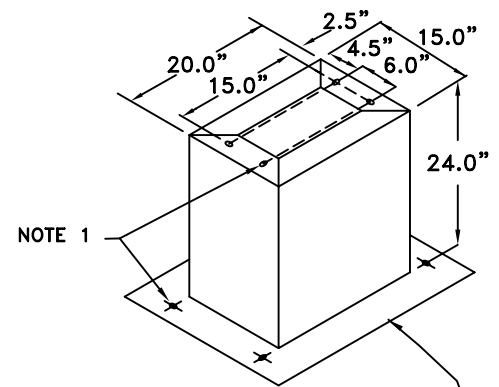


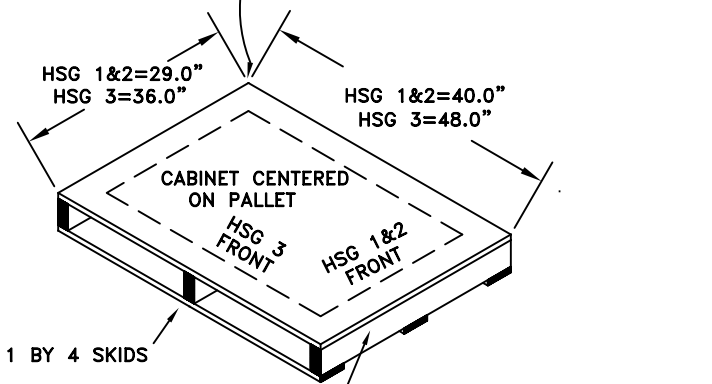
# HOUSING 2 / M BASE ADAPTER



# HOUSING 2 / HOUSING 1 BASE ADAPTER



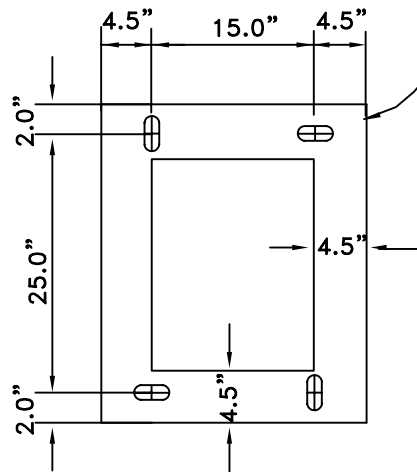
# EXTERIOR PLYWOOD TOP 5/8 To 3/4 inch



# CABINET SHIPPING PALLET

2" x 4" x 29" (HSG #1 & #2)  
4" x 4" x 36" (HSG #3)

# HOUSING 1 BASE VIEW



# NOTES

1. Hole Slot Detail A  
See Cabinet Housings 1&2 Details

TITLE: <b>CABINET HOUSING #2/ ADAPTERS &amp; SHIPPING PALLET</b>	
Rev Date 11-24-03	6-5-7
MAY 8, 2003	