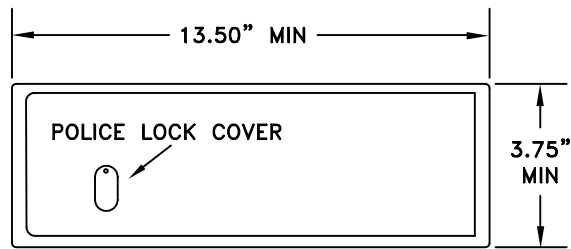
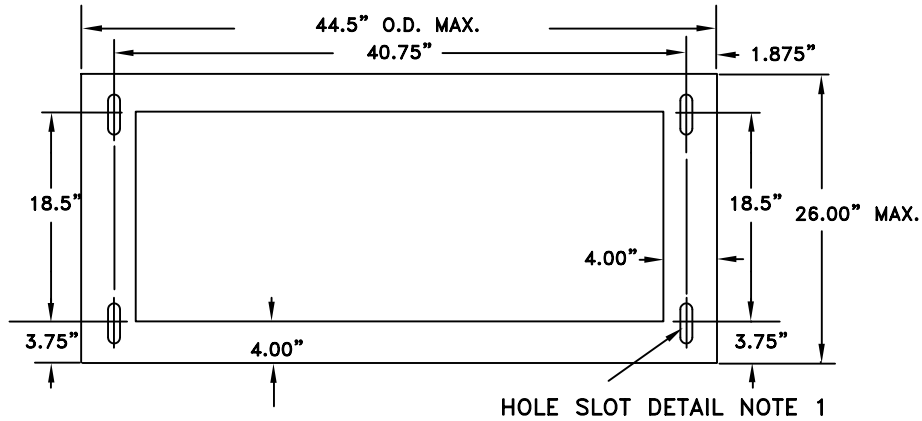


CABINET HOUSING #3 POLICE PANEL DETAIL



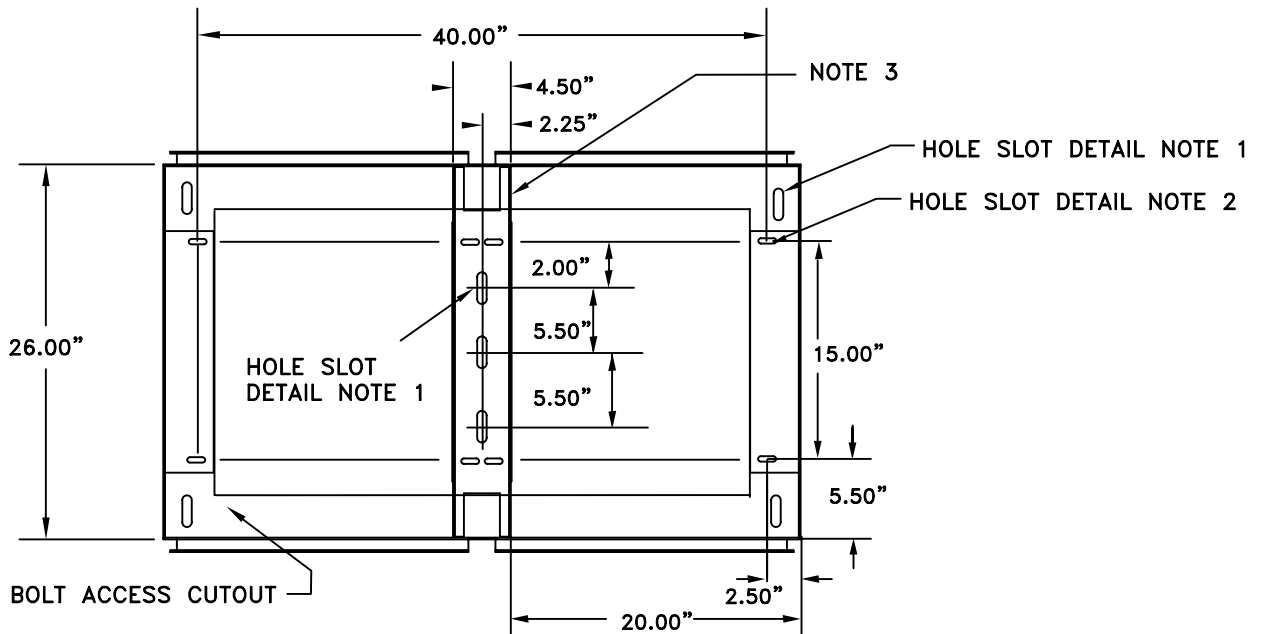
POLICE PANEL SHALL BE 3.00\" DEEP

CABINET HOUSING #3 BOTTOM DETAIL



HOLE SLOT DETAIL NOTE 1

CAGE SUPPORT DETAIL  
(TOP VIEW)



NOTES:

1. Hole Slot Detail A see Cabinet Housings 1&2 Details
2. Hole Slot Detail B see Cabinet Housings 1&2 Details
3. Tac Weld Cage Support to bottom assembly front and rear. See Cage Support Assembly Detail.

TITLE: <b>CABINET HOUSING #3 DETAIL 2</b>	
Rev Date 09-17-03	<b>6-5-3</b>
MAY 8, 2003	