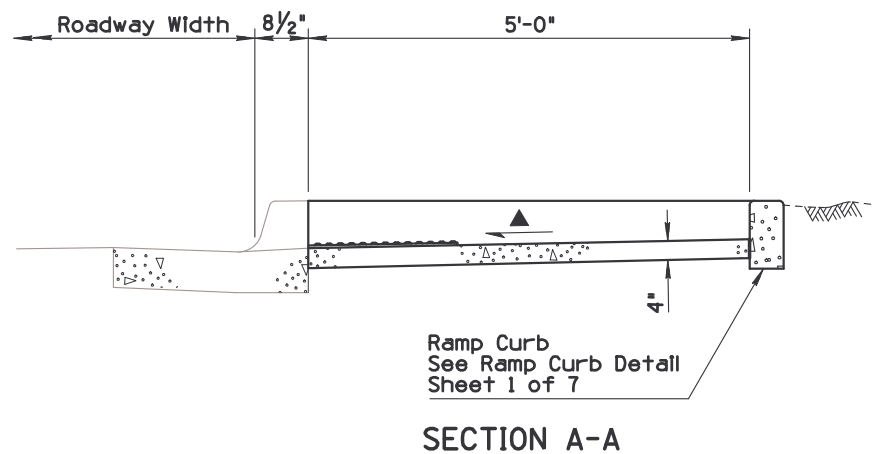
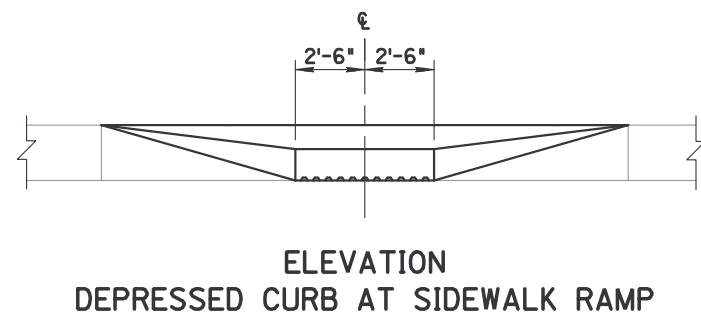
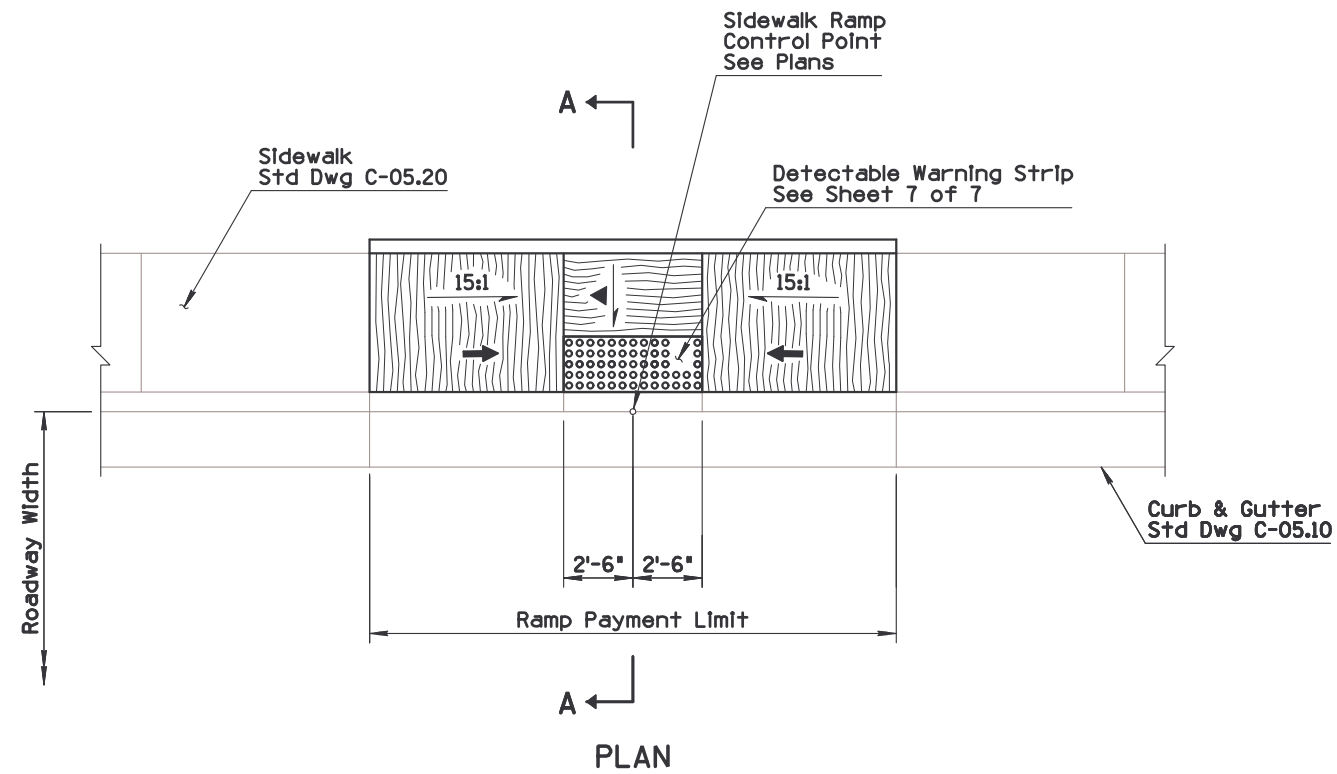


NO	DESCRIPTION OF REVISIONS	MADE BY	DATE
1	REISSUED STANDARD DRAWING AS SHEET 5 OF 7	RLF	9/04
2			
3			
4			

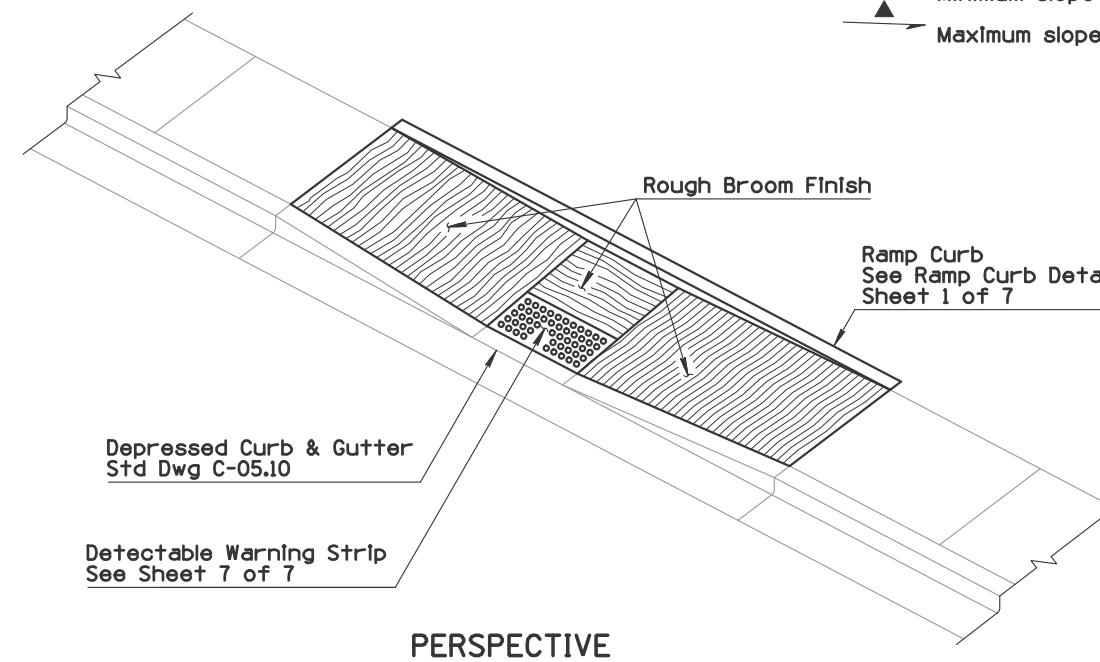


GENERAL NOTES

1. For use at mid-block locations.
2. Ramp centerline shall be perpendicular to the face of the curb at the Sidewalk Ramp Control Point.
3. The 15:1 ramp slope is the steepest allowed, except as provided for under Note 4.
4. Ramp lengths shall not exceed 10' for any installation. Ten-foot long ramps may be steeper than the slope shown in Note 3.
5. For sidewalk widths greater than shown on C-05.20, the overall Sidewalk Ramp depth shall match the sidewalk width.
6. Ramp curb height to match elevation at back of adjacent sidewalk.
7. Drainage Inlets should not be located within the marked crosswalks, or if crosswalks aren't marked, within the area a standard marked crosswalk would enclose.
8. Concrete shall receive a rough broom finish as shown.
9. See Std Dwg C-05.10 and C-05.20 for joint details.

LEGEND

- ▲ Minimum slope = 100:1 (0.01 '/ft)
- Maximum slope = 50:1 (0.02 '/ft)



APPROVED FOR DESIGN <i>Mary Viparina</i>	STATE OF ARIZONA DEPARTMENT OF TRANSPORTATION ROADWAY STANDARD DRAWINGS	REV. 9/04
APPROVED FOR DISTRIBUTION <i>Julie [Signature]</i>	SIDEWALK RAMP TYPE E	DRAWING NO. C-05.30 Sheet 5 of 7