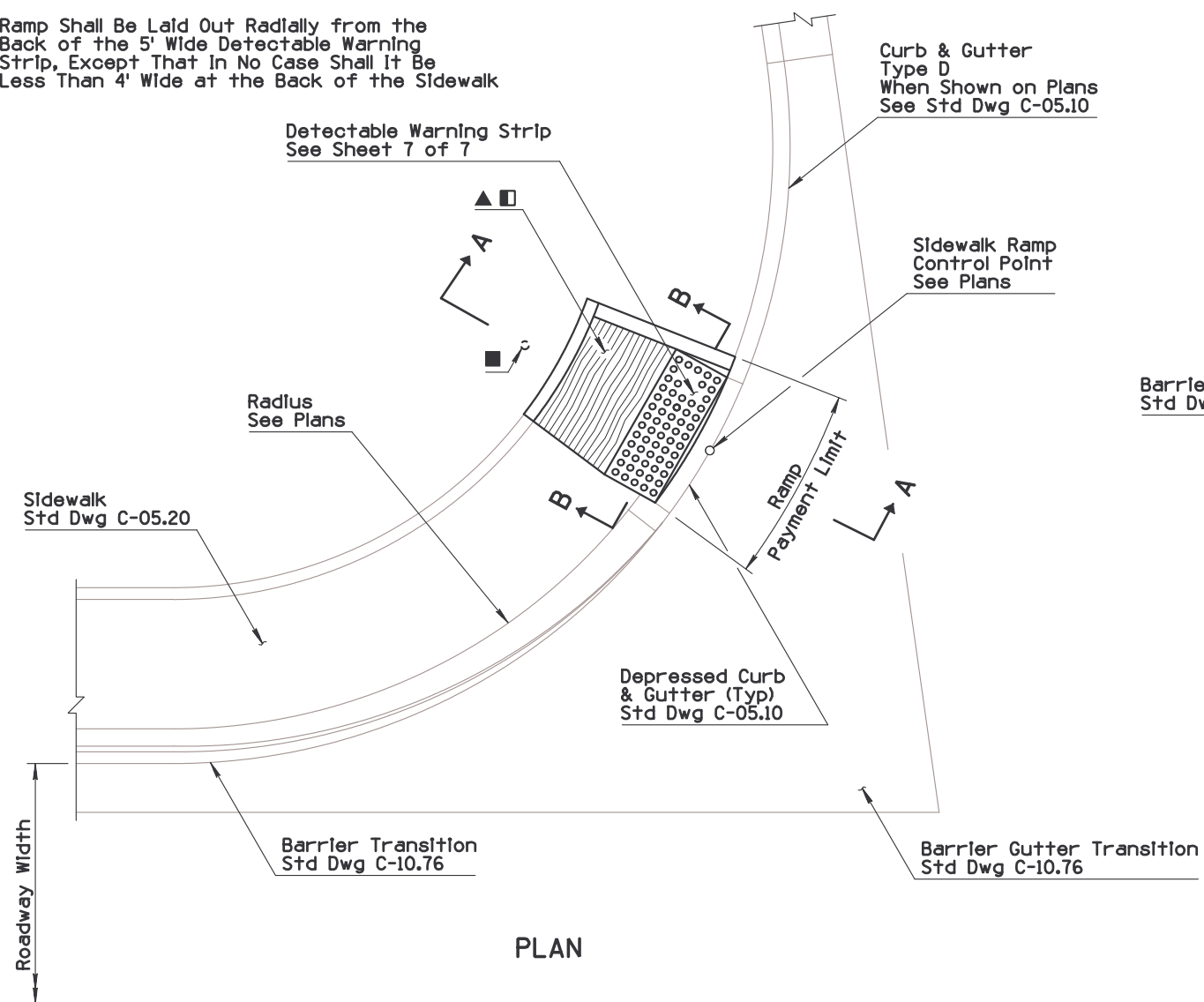
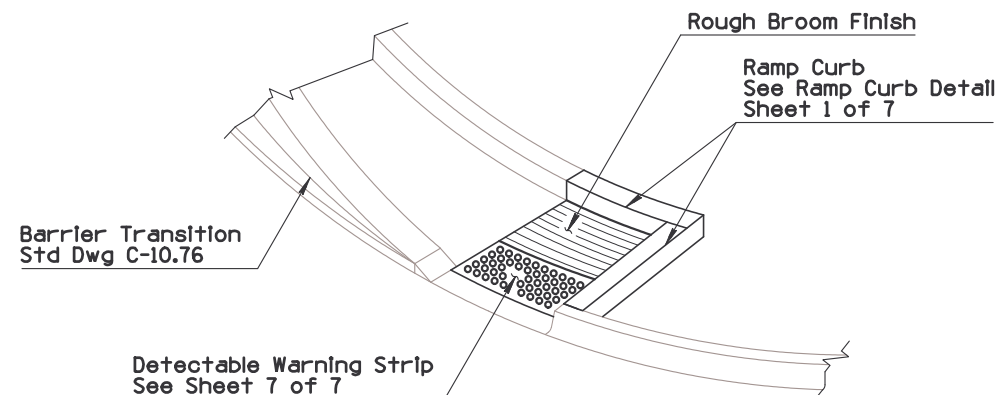


NO	DESCRIPTION OF REVISIONS	MADE BY	DATE
1	REISSUED STANDARD DRAWING AS SHEET 4 OF 7	RLF	9/04
2			
3			
4			

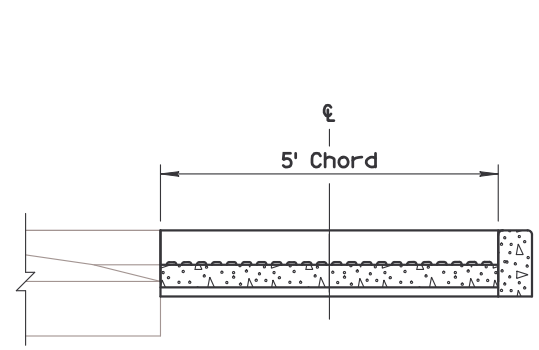
■ Ramp Shall Be Laid Out Radially from the Back of the 5' Wide Detectable Warning Strip, Except That In No Case Shall It Be Less Than 4' Wide at the Back of the Sidewalk



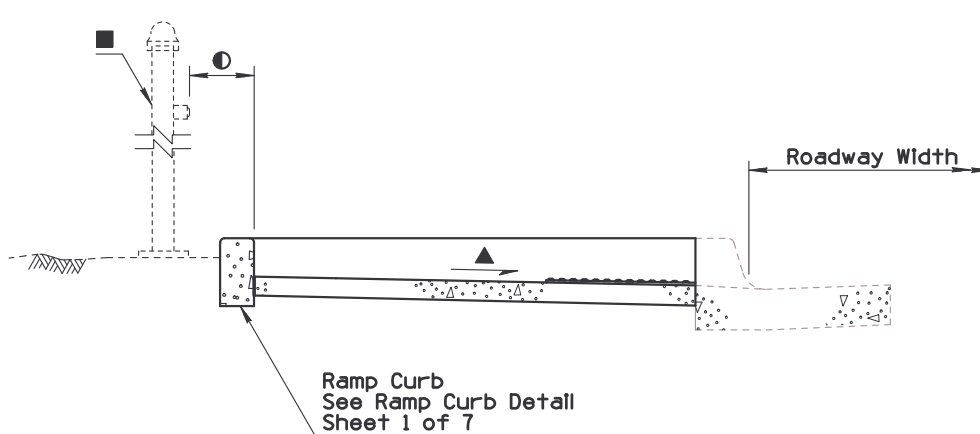
PLAN



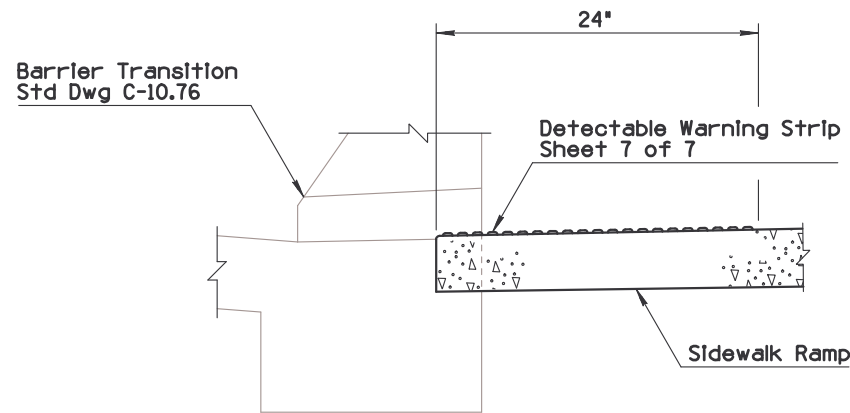
PERSPECTIVE



SECTION B-B



SECTION A-A



DETAIL

GENERAL NOTES

1. For use where sidewalk is not continuous.
  2. Ramp centerline shall be radial from the face of the curb at the Sidewalk Ramp Control Point.
  3. The top of the Ramp Curb along the back of the Sidewalk Ramp shall match the elevation of the adjacent back of sidewalk and run parallel to the Sidewalk Ramp. The Ramp Curb along the side of the Sidewalk Ramp shall match the elevation at the back of the Curb & Gutter and the back of Ramp Curb.
  4. Drainage Inlets should not be located within marked crosswalks, or if crosswalks aren't marked, within the area a standard marked crosswalk would enclose.
  5. Concrete shall receive a rough broom finish as shown.
  6. See Std Dwg C-05.10 and C-05.20 for joint details.
- Pedestrian Push Button Post When Shown on Traffic Plans. See Traffic Signal Plans for Additional Information
  - 10" Maximum to Face of Pedestrian Push Button

LEGEND

- ▲ Minimum Slope = 100:1 (0.01 '/ft)
- ➔ Maximum Slope = 50:1 (0.02 '/ft)

SIDEWALK RAMP AT SIDEWALK TERMINUS  
SIDEWALK BEHIND BARRIER

APPROVED FOR DESIGN <i>Mary Viparina</i>	STATE OF ARIZONA DEPARTMENT OF TRANSPORTATION ROADWAY STANDARD DRAWINGS	REV. 9/04
APPROVED FOR DISTRIBUTION <i>[Signature]</i>	SIDEWALK RAMP TYPE D	DRAWING NO. ① C-05.30 Sheet 4 of 7